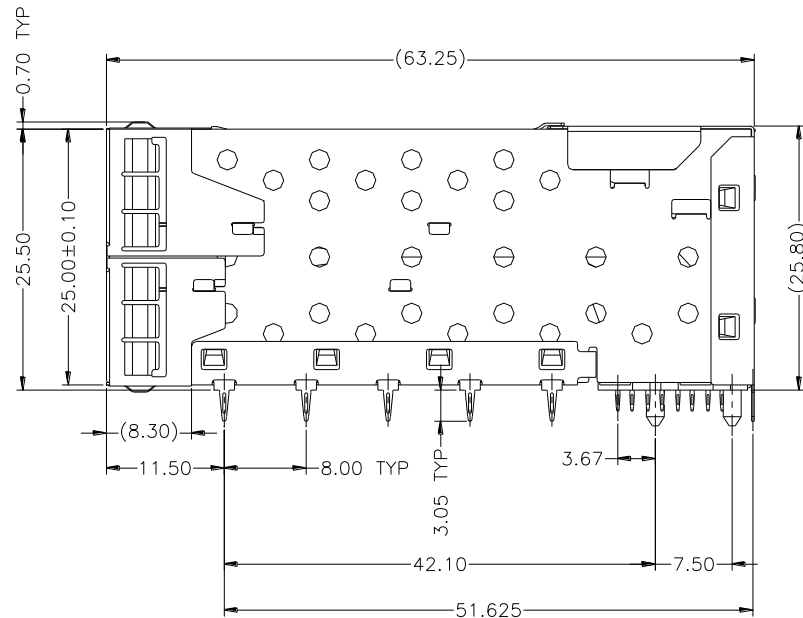
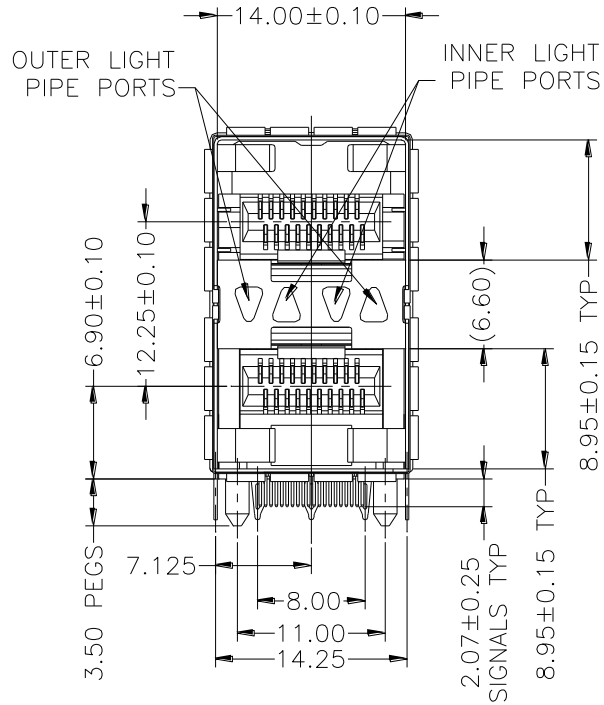


# Mechanical Dimensions

REV.	DESCRIPTION	DATE	DWN	AP'PD



MILLIMETRE

X.XXX ± 0.10  
 X.XX ± 0.20  
 X.X ± 0.30  
 X

## NOTES:

### MECHANICAL:

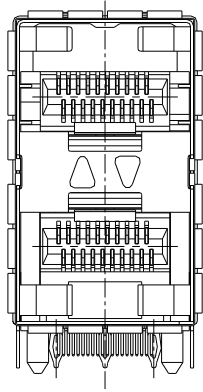
CAGES: NICKEL SILVER ALLOY, THICKNESS 0.25MM.  
 CONNECTOR HOUSING: GLASS FILLED PLASTIC, 94 V-0, COLOR: BLACK.  
 OVERMOLDED TERMINAL HOUSING: GLASS FILLED PLASTIC, 94 V-0, COLOR: BLACK.  
 LIGHTPIPES: POLYCARBONITE, 94 V-0, COLOR: CLEAR.  
 LIGHTPIPE HOLDER: GLASS FILLED PLASTIC, 94 V-0, COLOR: BLACK.  
 EMI SPRING: COPPER ALLOY.  
 TERMINAL: POSPHRR BRONZE.  
 GOLD PLATING FOR CONTACT AREA, THICKNESS SEE OPTION.  
 TIN PLATING FOR PRESS FIT AREA.  
 NICKEL PLATING AS UNDERLAYER FOR WHOLE TERMINAL.

### ELECTRICAL:

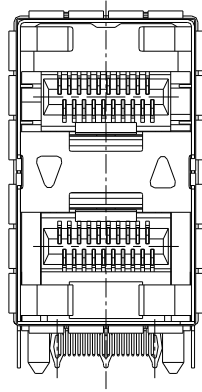
VOLTAGE: 30 VOLTS AC.  
 CURRENT: 0.50 A PER CONTACT.  
 CONTACT RESISTANCE: 50 MILLIOHMS MAX;  
 INSULATION RESISTANCE: 1000 MEGAOHMS MIN  
 AT 100 VDC FOR 1 MINUTE.  
 DIELECTRIC WITHSTANDING VOLTAGE: 300 VDC MIN;  
 TEMPERATURE:  
 OPERATION: -40°C ~ +85°C  
 STORAGE: -55°C ~ +105°C  
 LIGHTPIPE PAD LAYOUT IS FOR LOW-PROFILE LED PACKAGE. LED SIZE (LxWxH): 2x1x0.4MM MAX.  
 RoHS COMPLIANCE.

	<b>元册科技股份有限公司</b> YUAN DEAN SCIENTIFIC CO., LTD.			
	<b>TITLE</b> 2X1 SFP+ CAGE AND CONNECTOR W/LIGHT PIPE OPTION			
	<b>P/N</b>	<b>YDS-SFP21PAXFTG</b>	<b>REV.</b>	<b>1.0</b>
	<b>PAGE NO</b>	<b>1-4</b>	<b>DATE</b>	<b>2015/4/1</b>
<b>AP'PD</b>	<b>Hsu</b>	<b>DWN</b>	Chen Chuan Yu	

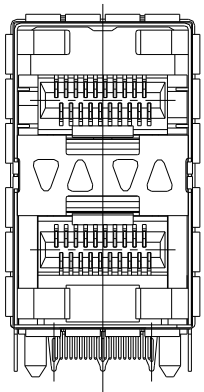
REV.	DESCRIPTION	DATE	DWN	AP'PD



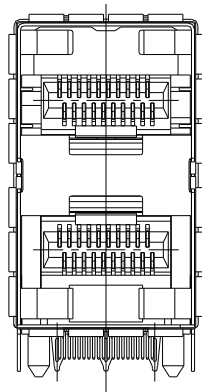
YDS-SFP21PA1FTG  
WITH INNER LIGHTPIPES



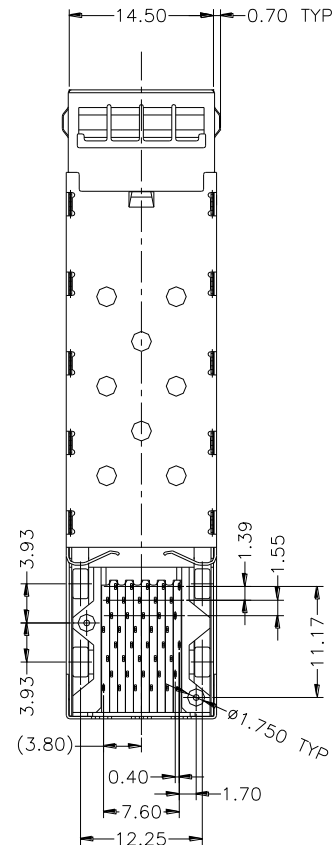
YDS-SFP21PA2FTG  
WITH OUTER LIGHTPIPES



YDS-SFP21PA3FTG  
WITH INNER/OUTER  
LIGHTPIPES



YDS-SFP21PA0FTG  
WITHOUT LIGHTPIPES



元册科技股份有限公司

YUAN DEAN SCIENTIFIC CO., LTD.

TITLE

2X1 SFP+ CAGE AND CONNECTOR  
W/LIGHT PIPE OPTION

P/N

YDS-SFP21PAXFTG

REV.

1.0

PAGE NO

2-4

DATE

2015/4/1

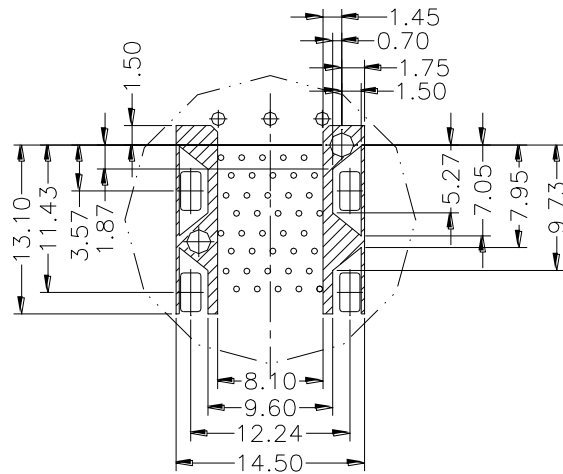
AP'PD

Hsu

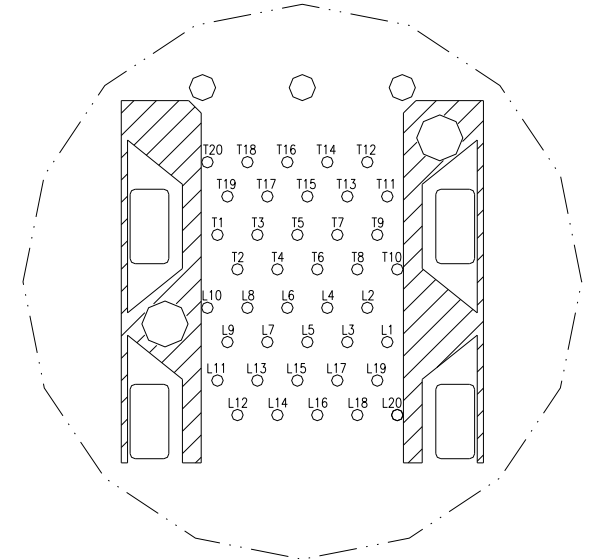
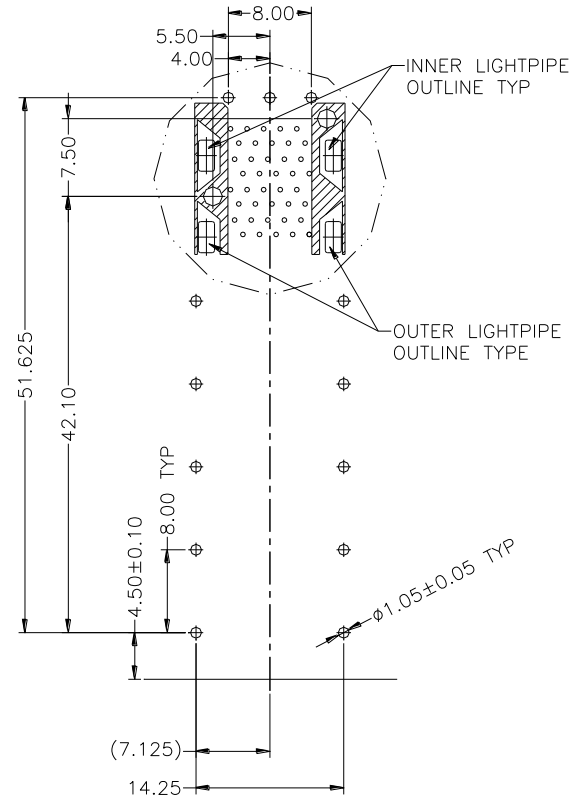
DWN

Chen Chuan Yu

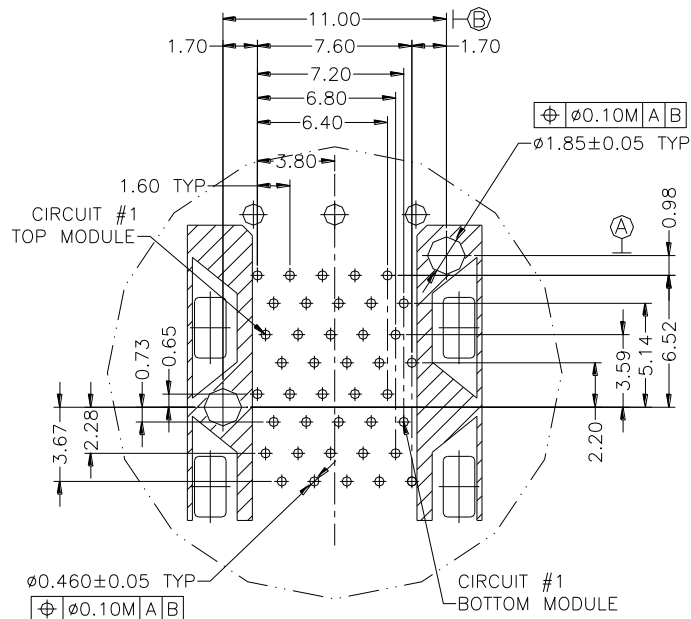
REV.	DESCRIPTION	DATE	DWN	AP'PD



KEEP OUT ZONE DETAIL



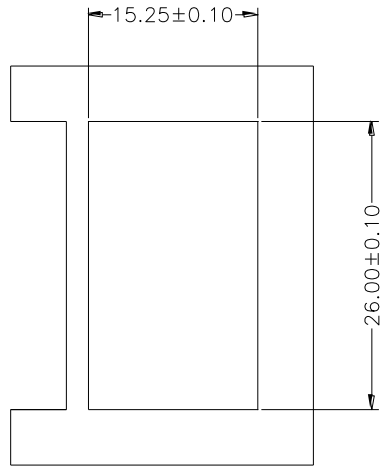
CONNECTOR PIN-OUT DETAIL  
COMPONENT SIDE OF BOARD  
SCALE: 2:1



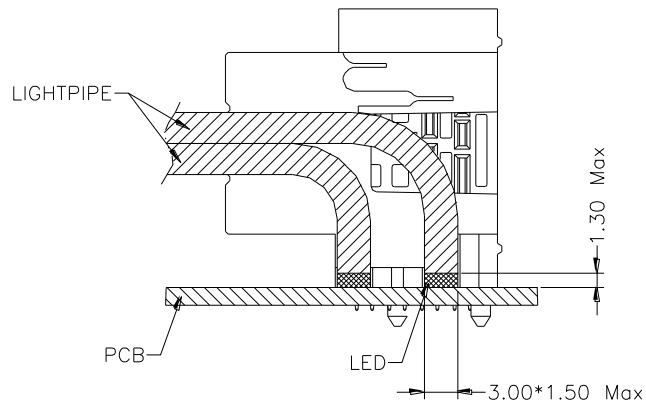
RECOMMENDED PCB LAYOUT—COMPONENT SIDE  
PCB THICKNESS 1.6MM MIN  
TOLERANCE: ±0.05 MM

	<b>元册科技股份有限公司</b> YUAN DEAN SCIENTIFIC CO., LTD.			
	<b>TITLE</b> 2X1 SFP+ CAGE AND CONNECTOR W/LIGHT PIPE OPTION			
	<b>P/N</b>	<b>YDS-SFP21PAXFTG</b>	<b>REV.</b>	<b>1.0</b>
	<b>PAGE NO</b>	<b>3-4</b>	<b>DATE</b>	<b>2015/4/1</b>
	<b>AP'PD</b>	<b>Hsu</b>	<b>DWN</b>	Chen Chuan Yu

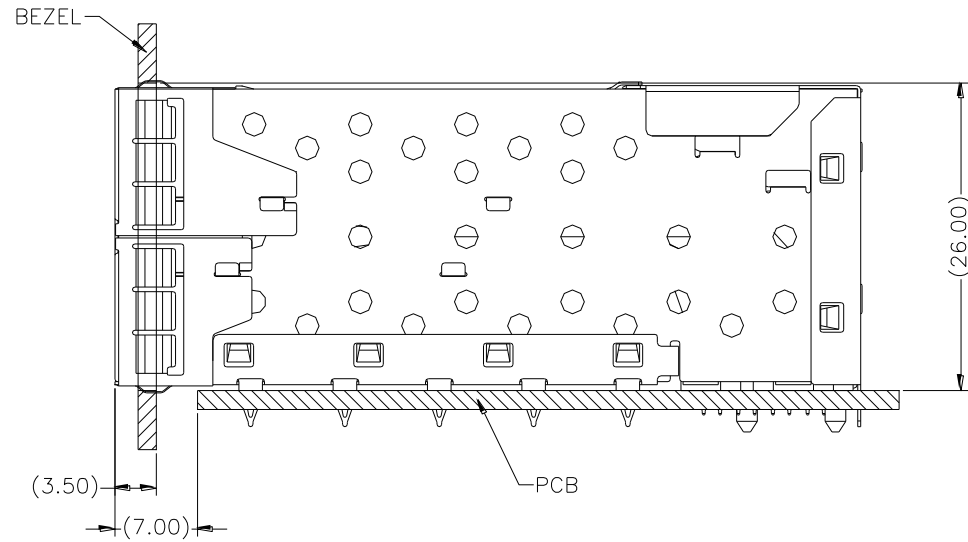
REV.	DESCRIPTION	DATE	DWN	AP'PD



RECOMMENDED BEZEL CUT-OUT CENTER DETAIL  
BEZEL THICKNESS 0.8~2.6MM



RECOMMENDED LED DIMENSION



	<b>元册科技股份有限公司</b> YUAN DEAN SCIENTIFIC CO., LTD.			
	TITLE		<b>2X1 SFP+ CAGE AND CONNECTOR W/LIGHT PIPE OPTION</b>	
	P/N	YDS-SFP21PAXFTG	REV.	1.0
	PAGE NO	4-4	DATE	2015/4/1
	AP'PD	Hsu	DWN	Chen Chuan Yu