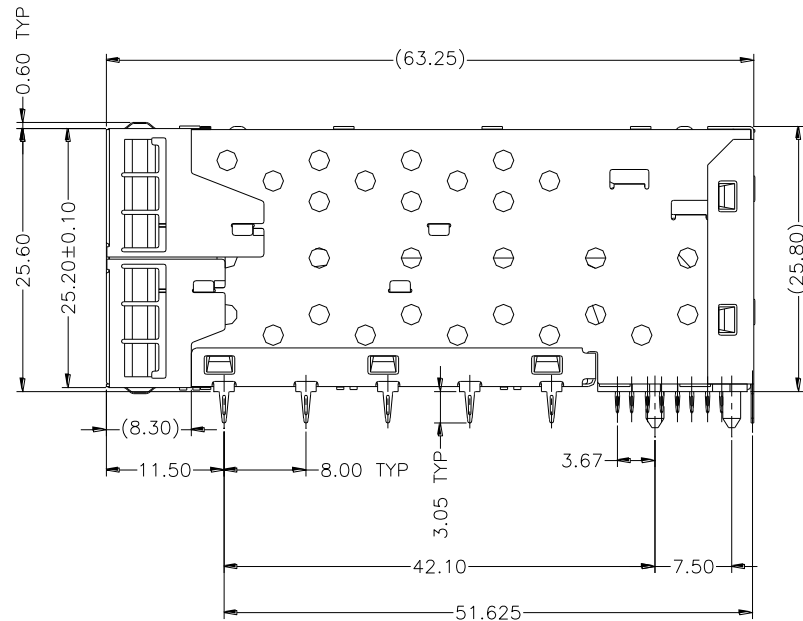
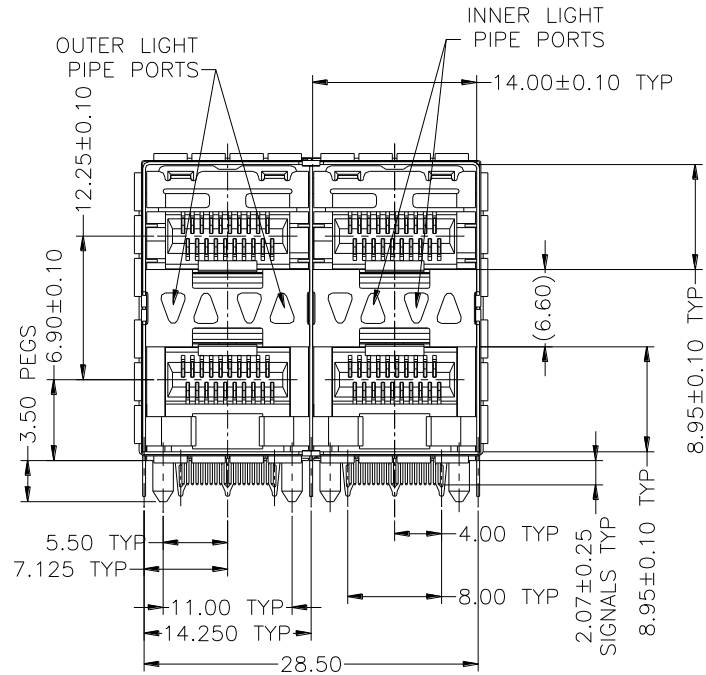


# Mechanical Dimensions

| REV. | DESCRIPTION | DATE | DWN | AP'PD |
|------|-------------|------|-----|-------|
|      |             |      |     |       |
|      |             |      |     |       |



MILLIMETRE

X.XXX ±0.10  
 X.XX ±0.20  
 X.X ±0.30  
 X


## NOTES:

### MECHANICAL:

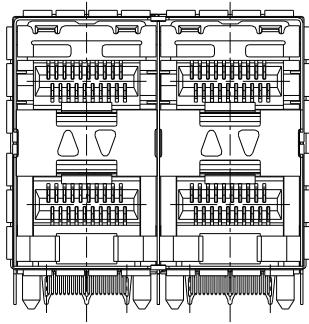
- CAGES: NICKEL SILVER ALLOY, THICKNESS 0.25MM.
- CONNECTOR HOUSING: GLASS FILLED PLASTIC, 94 V-0, COLOR: BLACK.
- OVERMOLDED TERMINAL HOUSING: GLASS FILLED PLASTIC, 94 V-0, COLOR: BLACK.
- LIGHTPIPES: POLYCARBONITE, 94 V-0, COLOR: CLEAR.
- LIGHTPIPE HOLDER: GLASS FILLED PLASTIC, 94 V-0, COLOR: BLACK.
- CLIP: STAINLESS STEEL.
- EMI SPRING: COPPER ALLOY.
- TERMINAL: POSPHRR BRONZE.
- GOLD PLATING FOR CONTACT AREA, THICKNESS SEE OPTION.
- TIN PLATING FOR PRESS FIT AREA.
- NICKEL PLATING AS UNDERLAYER FOR WHOLE TERMINAL.

### ELECTRICAL:

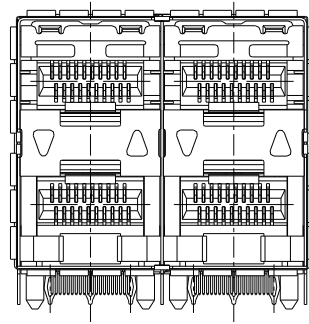
- VOLTAGE: 30 VOLTS AC.
- CURRENT: 0.50 A PER CONTACT.
- CONTACT RESISTANCE: 50 MILLIOHMS MAX;
- INSULATION RESISTANCE: 1000 MEGAOHMS MIN  
 AT 100 VDC FOR 1 MINUTE.
- DIELECTRIC WITHSTANDING VOLTAGE: 300 VDC MIN;
- TEMPERATURE:  
 OPERATION: -40°C~+85°C  
 STORAGE: -55°C~+105°C
- LIGHTPIPE PAD LAYOUT IS FOR LOW-PROFILE LED PACKAGE. LED SIZE(LxWxH): 2x1x0.4MM MAX.
- RoHS COMPLIANCE.

|   |   |                        |   |                 |
|---|---|------------------------|---|-----------------|
|  |  |                        | <b>元册科技股份有限公司</b><br>YUAN DEAN SCIENTIFIC CO., LTD.                 |                 |
|   | <b>TITLE</b>  |                        | <b>2X2 SFP+ CAGE AND CONNECTOR<br/>         W/LIGHT PIPE OPTION</b> |                 |
|   | <b>P/N</b>  | <b>YDS-SFP22PAXFTG</b> | <b>REV.</b>   | <b>1.0</b>      |
|   | <b>PAGE NO</b>  | <b>1-4</b>             | <b>DATE</b>   | <b>2015-4-2</b> |
|   | <b>AP'PD</b>  | <b>Hsu</b>             | <b>DWN</b>  | Chen Chuan Yu   |

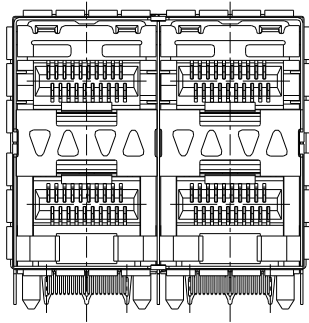
| REV. | DESCRIPTION | DATE | DWN | AP'PD |
|------|-------------|------|-----|-------|
|      |             |      |     |       |
|      |             |      |     |       |



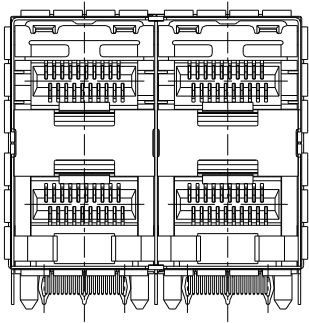
YDS-SFP22PA1FTG WITH INNER LIGHTPIPES



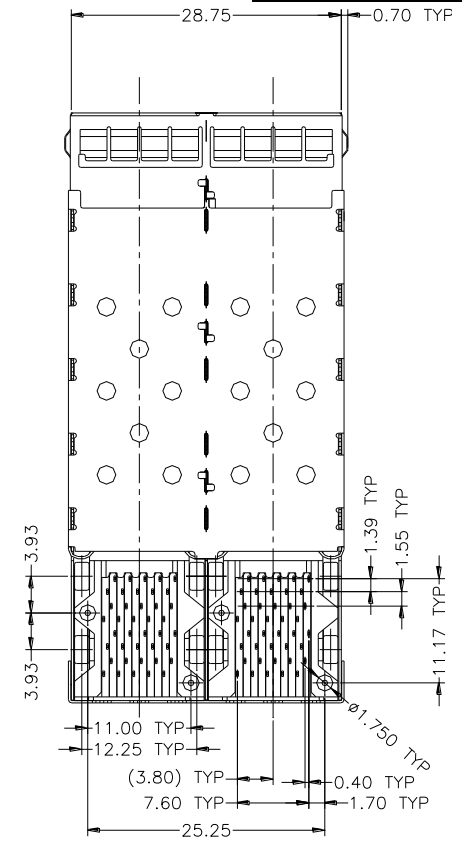
YDS-SFP22PA2FTG WITH OUTER LIGHTPIPES



YDS-SFP22PA3FTG WITH INNER/OUTER LIGHTPIPES



YDS-SFP22PA0FTG WITHOUT LIGHTPIPES



元册科技股份有限公司

YUAN DEAN SCIENTIFIC CO., LTD.

TITLE

2X2 SFP+ CAGE AND CONNECTOR  
W/LIGHT PIPE OPTION

P/N

YDS-SFP22PAXFTG

REV.

1.0

PAGE NO

2-4

DATE

2015-4-2

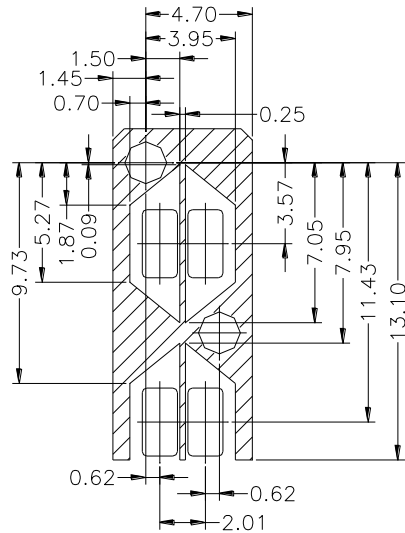
AP'PD

Hsu

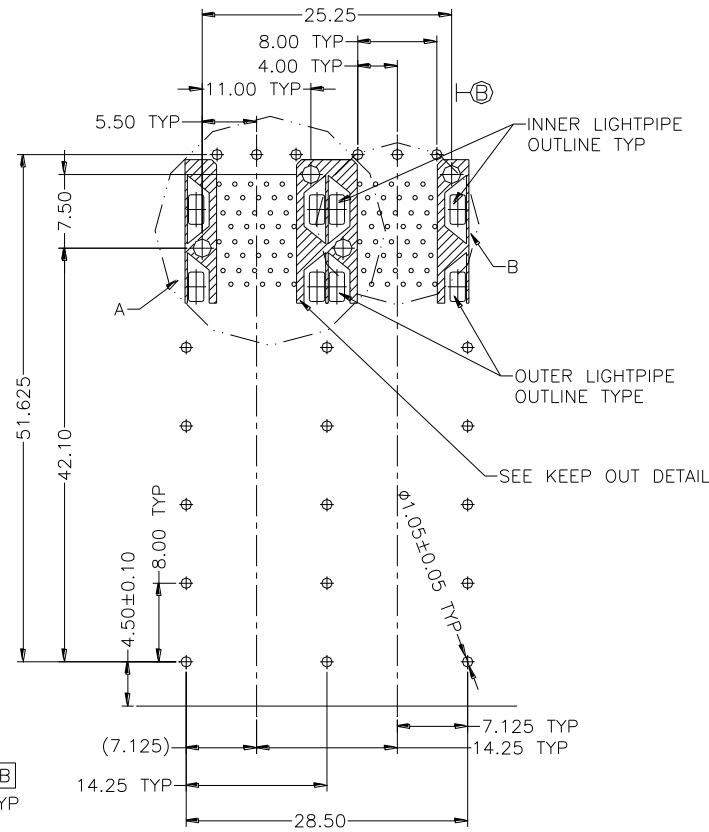
DWN

Chen Chuan Yu

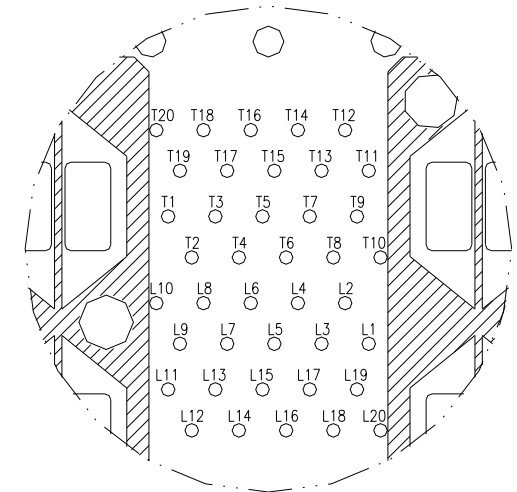
| REV. | DESCRIPTION | DATE | DWN | AP'PD |
|------|-------------|------|-----|-------|
|      |             |      |     |       |
|      |             |      |     |       |



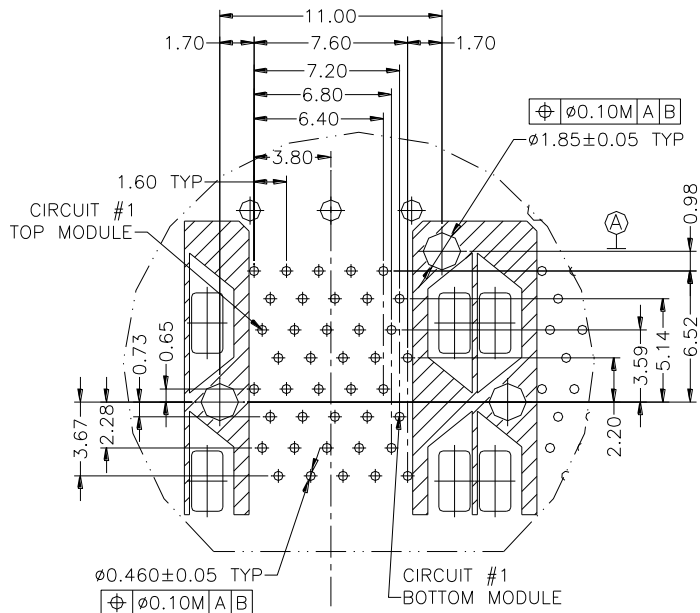
KEEP OUT ZONE DETAIL  
SCALE 2:1



RECOMMENDED PCB LAYOUT—COMPONENT SIDE  
PCB THICKNESS 1.6MM MIN  
TOLERANCE: ±0.05 MM



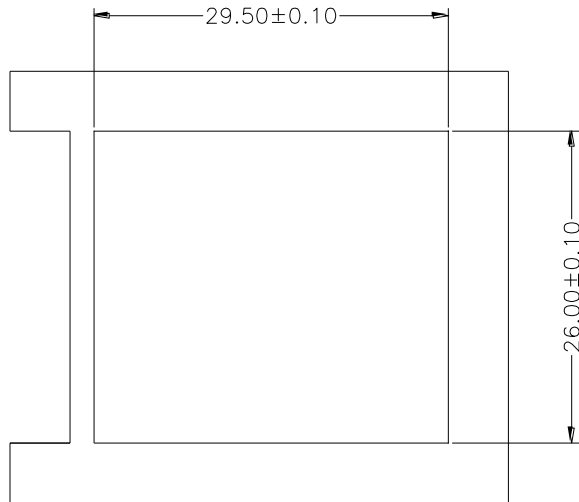
CONNECTOR PIN-OUT DETAIL  
COMPONENT SIDE OF BOARD  
DETAIL B  
SCALE: 2:1



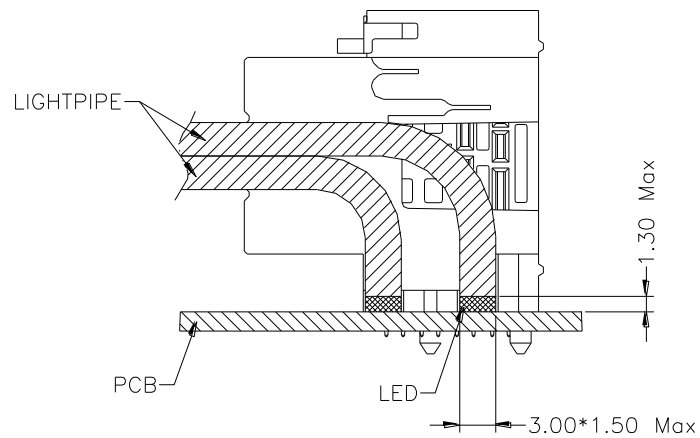
DETAIL A  
SCALE: 2:1

|  |   |                        |             |                 |
|--|---|------------------------|-------------|-----------------|
|  | <b>元册科技股份有限公司</b><br>YUAN DEAN SCIENTIFIC CO., LTD.             |                        |             |                 |
|  | <b>TITLE</b> 2X2 SFP+ CAGE AND CONNECTOR<br>W/LIGHT PIPE OPTION |                        |             |                 |
|  | <b>P/N</b>  | <b>YDS-SFP22PAXFTG</b> | <b>REV.</b> | <b>1.0</b>      |
|  | <b>PAGE NO</b>  | <b>3-4</b>             | <b>DATE</b> | <b>2015-4-2</b> |
|  | <b>AP'PD</b>  | <b>Hsu</b>             | <b>DWN</b>  | Chen Chuan Yu   |

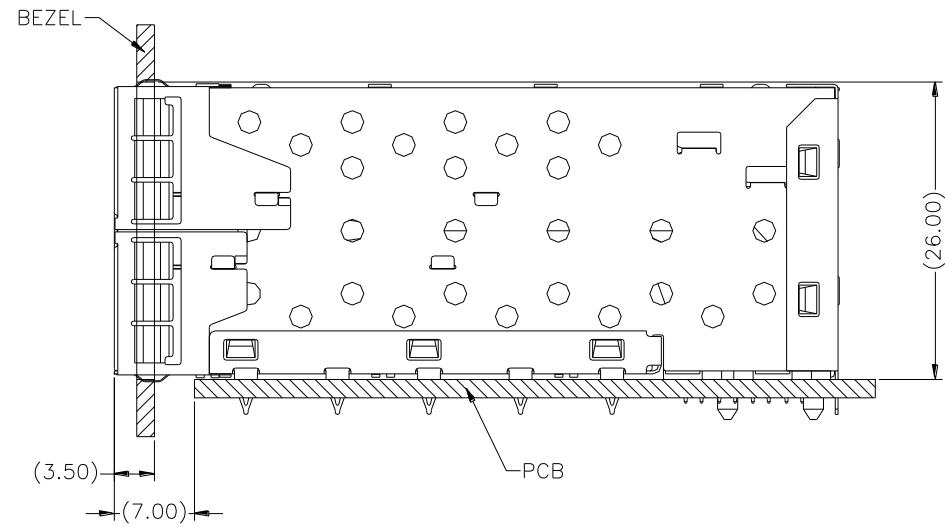
| REV. | DESCRIPTION | DATE | DWN | AP'PD |
|------|-------------|------|-----|-------|
|      |             |      |     |       |
|      |             |      |     |       |



RECOMMENDED BEZEL CUT-OUT CENTER DETAIL  
BEZEL THICKNESS 0.8~2.6MM



RECOMMENDED LED DIMENSION



|  |   |  |             |                 |
|--|---|--|-------------|-----------------|
|  | <b>元册科技股份有限公司</b><br>YUAN DEAN SCIENTIFIC CO., LTD. |  |             |                 |
|  | <b>TITLE</b>  | <b>2X2 SFP+ CAGE AND CONNECTOR<br/>W/LIGHT PIPE OPTION</b> |             |                 |
|  | <b>P/N</b>  | <b>YDS-SFP22PAXFTG</b>                                     | <b>REV.</b> | <b>1.0</b>      |
|  | <b>PAGE NO</b>                                      | <b>4-4</b>   | <b>DATE</b> | <b>2015-4-2</b> |
|  | <b>AP'PD</b>  | <b>Hsu</b>   | <b>DWN</b>  | Chen Chuan Yu   |