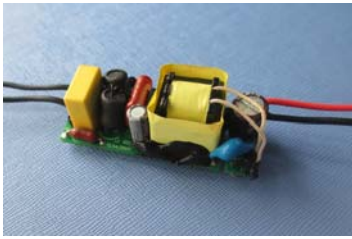


3-8W PFC LED Bulbs Drivers



FEATURES:

- Wide Input Voltage 90 to 264VAC, 47 to 63Hz
- High Efficiency Up To 82%
- Protection: Short Circuit /Over current/Over voltage
- Design Refer To EMI EN55022 & EMS EN55024 standard
- Power Factor Correction
- 2 Years Warranty ● ROHS Compliant

$$\frac{\text{LB8A}}{\text{A}} - \frac{120}{\text{B}} - \frac{300}{\text{C}}$$

A: Series
B: Output Voltage
C: Output Current

Specifications typical at TA=25°C, nominal input voltage and rated output current unless otherwise specified

Part Number	Output Wattage	Constant Current Region	Constant Current	Efficiency % (TYP)
	(W)	(V)	(mA)	
LB8A-260-150	3.9	18.0-26.0	150	80
LB8A-120-300	3.6	6.0-12.0	300	80
LB8A-180-300	5.4	9.0-18.0	300	81
LB8A-260-300	7.8	18.0-26.0	300	82
LB8A-200-300	6.0	15.0-20.0	300	80
LB8A-140-320	4.5	12.0-14.0	320	80
LB8A-240-320	7.7	20.0-24.0	320	82
LB8A-120-350	4.2	6.0-12.0	350	80
LB8A-180-350	6.3	9.0-18.0	350	81
LB8A-095-500	4.8	5.0-9.5	500	80
LB8A-120-500	6.0	6.0-12.0	500	81
LB8A-120-700	8.4	6.0-12.0	700	82
LB8A-045-700	3.2	3.0-4.5	700	80
LB8A-090-700	6.3	4.5-9.0	700	81

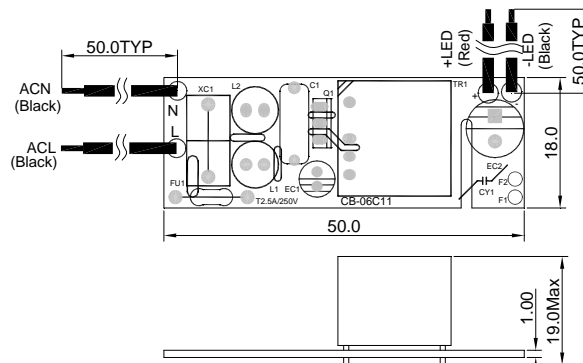
Input Specifications

Parameters	Conditions	Min	Typ	Max	Units
Rated Input Voltage	Vo, lo nom		100~240		Vac
Voltage Range	Vo, lo nom	90		264	Vac
Line frequency	Vi nom, lo nom	47	50/60	63	Hz
Inrush Current	lo nom			10	A
	Vi: 115VAC			20	A
Power Factor		PF > 0.80 / 115Vac, 230Vac at full load			

Output Specifications

Parameters	Conditions	Min	Typ	Max	Units
Isolation Voltage	Input / Output	3KVac/ 5mA/5Secs			
Current Accuracy	Vi=110-240Vac		±3	±5	%
Operating Temperature	Operating at Vi nom, lo nom	-20		+50	°C
Protection	Over Current	>108% rated output power (Constant current limiting)			
		Protection type: Recovers automatically after fault condition is removed			
	Over Voltage	120%-150% rated output Voltage			
Protection type: Recovers automatically after fault condition is removed					
Short circuit	Recovers automatically after fault condition is removed				

Markings and dimensions



UNIT:mm Unless otherwise specified, all tolerances are ±0.5