

FEATURES

- Return loss meets requirements
- Six and eight transformers in a surface mount package
- Isolation voltage: 1500Vrms

TEST CONDITIONS

- Inductance ----- **100KHZ/100mV**
- Leakage Inductance ----- **100KHZ/100mV**
- Interwinding Capacitance-- **100KHZ/100mV**

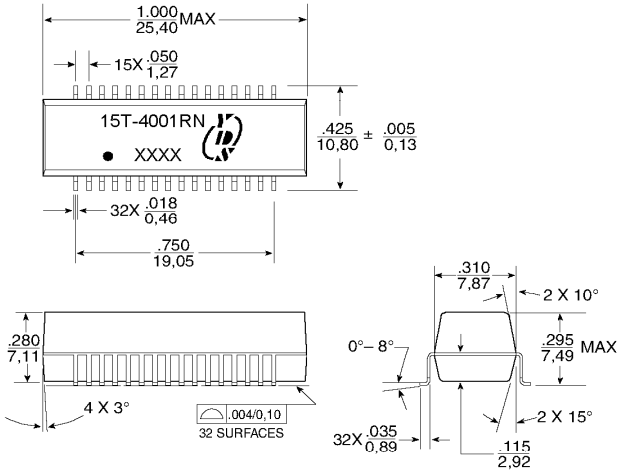


ELECTRICAL SPECIFICATIONS @25°C								
Part Number	Turns Ratio (±2%)	OCL. Primary (uH MIN.)	OCL AT -40°C (uH MIN)	LL (uH MAX)	CW/W (pF MAX)	Isolation Voltage (Vrms MIN)	Package Schematic	Primary Pins
15T-4001RN	1:1	40	-	0.150	10	1500	R/N	1-2,3-4,5-6,7-8 9-10,11-12,13-14, 15-16
15T-1902RN	1:2	19	-	0.150	10	1500	R/N	1-2,3-4,5-6,7-8 9-10,11-12,13-14, 15-16
ELECTRICAL SPECIFICATIONS @25°C—Operating Temperature -40°C to +85°C								
Part Number	Turns Ratio (±2%)	OCL. Primary (uH MIN.)	OCL AT -40°C (uH MIN)	LL (uH MAX)	CW/W (pF MAX)	Isolation Voltage (Vrms MIN)	Package Schematic	Primary Pins
15T-1011YQC	1:1	100	40	0.110	10	1500	Y/Q	1-2,3-4,5-6,7-8 9-10,11-12
15T-1011RNC	1:1	100	-	0.150	10	1500	R/N	1-2,3-4,5-6,7-8 9-10,11-12,13-14, 15-16
15T-1012RNC	1:1 & 1:2	100 & 40	-	0.120	10	1500	R/N	1-2,5-6,9-10,13-14 & 3-4,7-8,11-12,15-16
15T-4701RMC	1:1	47	-	-	-	1500	R/M	1-32,3-30,5-28, 7-26,9-24,11-22 13-20,15-18
15T-4003XSC	1:2CT & 1:1	40	-	0.12	10	1500	X/S	40-38,37-36,35-33 32-31,30-28,27-26 25-23,22-21

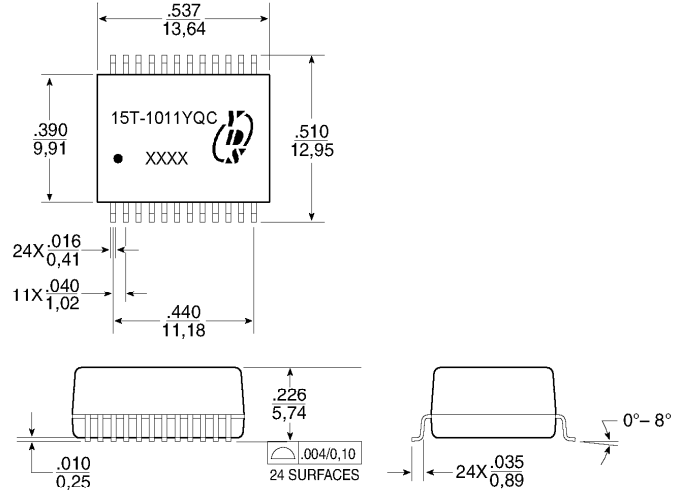


MECHANICAL

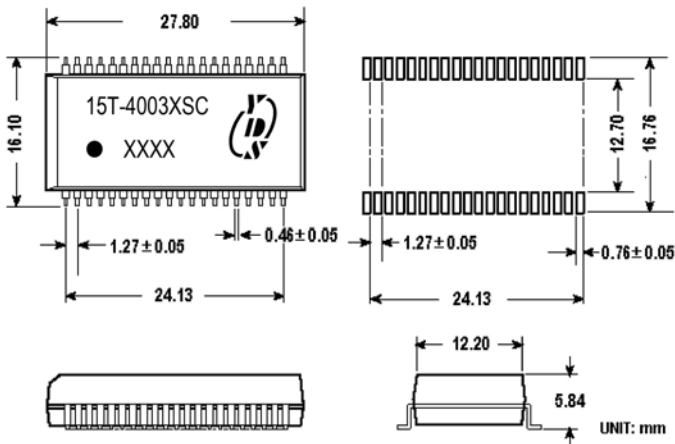
R



Y



X



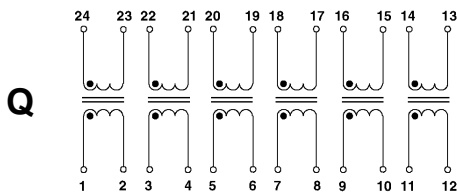
Part Number:

15T - 101 1 Y Q C NL
A B C D E F G

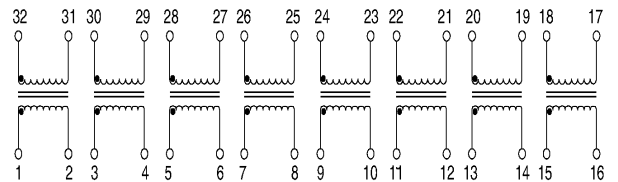
- A:Series
- B:Inductance
- C:Sequence id
- D:Appearance
- E:Schematic
- F:Operating Temperature
- G:RoHS Version

inches: inch/mm all tolerances are ± .010/± 0,25

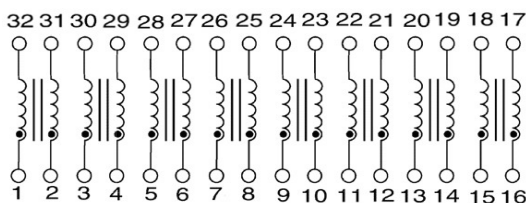
SCHEMATICS



N



M



S

