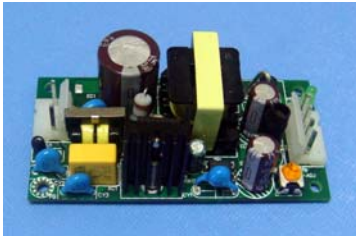


## 15Watt,Single Output,AC-DC Open Frame Converter



### FEATURES:

- Universal Input 90~264VAC
- High Efficiency Up To 85%
- Protection: Short Circuit /Overload/Over voltage
- Meet EMI EN55022 & EMS EN55024 standard
- Internal Input Filter
- 2 Years Warranty ● ROHS Compliant

G B 015 - S 05  
A B C D E

A:Series  
B:Open Frame  
C:Output Watt  
D:Single Output  
E:Output Voltage



Specifications typical at TA=25°C, nominal input voltage and rated output current unless otherwise specified					
Part Number	Output Wattage	Output Voltage	Output Current	Ripple & Noise	Efficiency
	(W)	(VDC)	(mA)	(mV) max(note)	(TYP %)
GB015-S03	10	3.3	3000	100	70
GB015-S05	15	5	3000	100	75
GB015-S12	18	12	1500	100	80
GB015-S15	18	15	1200	150	82
GB015-S24	19	24	800	240	83
GB015-S48	19	48	400	240	85

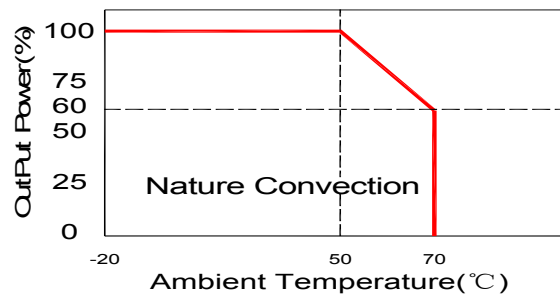
Input Specifications						
Parameters	Conditions		Min	Typ	Max	Units
Rated Input Voltage	Vo,lo nom			100~240		Vac
Voltage Range	Vo,lo nom	AC in	90		264	Vac
		DC in	120		370	Vdc
Line frequency	Vi nom,Ionom		47	50/60	63	Hz
Inrush Current	Io nom	Vi:115VAC			10	A
		Vi:230VAC			20	A
Input Fuse	VDE/UL/CCC FUSE 2.5A/250V (Slow blow)					

Output Specifications						
Parameters	Conditions		Min	Typ	Max	Units
Output Voltage Accuracy	Vi nom,lo nom (Single output)	3.3V,5V Models			±3	%
		12....48V Models			±2	%
Minimum Load	Vi nom	Single Output Models	0			%
Line Regulation	Io nom,Vi min...Vi max			±1		%
Load Regulation	Io min~Io nom	Single Output Models		±2		%
Transient Recovery Time	Vi nom,lo nom = ←→0.5 Io nom			1,000		uS
Protection	Overload		Above 110% rated output power <b>Protection type:</b> Recovers automatically after fault condition is removed			
	Over Voltage		120%-150% rated output Voltage <b>Protection type:</b> Zener diode clamp			
	Short circuit		Recovers automatically after fault condition is removed			

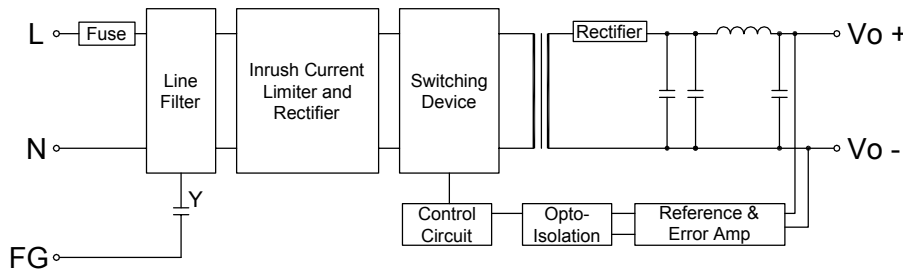
Note. Ripple & noise is measured by using 20 MHz bandwidth, measured with a 47uf paralleled with a high-frequency 0.47uf capacitor across each output by full load.

General Specifications					
Parameters	Conditions	Min	Typ	Max	Units
Switching Frequency	Vi nom,lo nom		65		KHz
Isolation Voltage	Input / Output	3KVac/ 5mA/5Secs			
Isolation Resistance	Input / Output,@500 Vdc	100			MΩ
Operating Temperature	Operating at Vi nom,lo nom	-20		+70	°C
Derating	Vi nom,lo nom+51 to 71°C			2	%/°C
Storage Temperature	Non Operational	-40		+85	°C
Relative Humidity	Vi nom,lo nom			95	% RH
Safety Standards	EN60950-1 approved				
EMI Conduction & Radiation	Compliance to EN55022				
EMS Immunity	Compliance to EN55024				
Dimension	L80 x W40 x H24MAX				mm
Cooling	Free air convection				

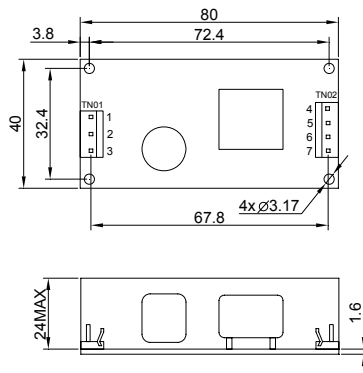
**Temperature Derating Graph**



**Circuit Schematic**



**Markings and dimensions**



Notes:

1. Input connector mates with Molex housing 09-50-3031 and Molex 2478 series crimp terminal.
2. Output connector mates with Molex housing 09-50-3041 and Molex 2478 series crimp terminal.

TN01	Model
PIN	Single
1	ACL
2	No PIN
3	ACN
TN02	
4	+Vo
5	+Vo
6	-Vo
7	-Vo

Unit: mm Unless otherwise specified, all tolerances are  $\pm 0.50$