



FEATURES:

- Universal Input 90-264VAC
- High Efficiency Up To 88%
- Protection: Short Circuit /Overload/Over voltage
- Meet EMI EN55022 & EMS EN55024 standard
- Internal Input Filter
- 2 Years Warranty ● ROHS Compliant

G B 030 - S 15
A B C D E

A:Series
B:Open Frame
C:Output Watt
D:Single(S) Dual(D)
E:Output Voltage

Specifications typical at TA=25°C, nominal input voltage and rated output current unless otherwise specified

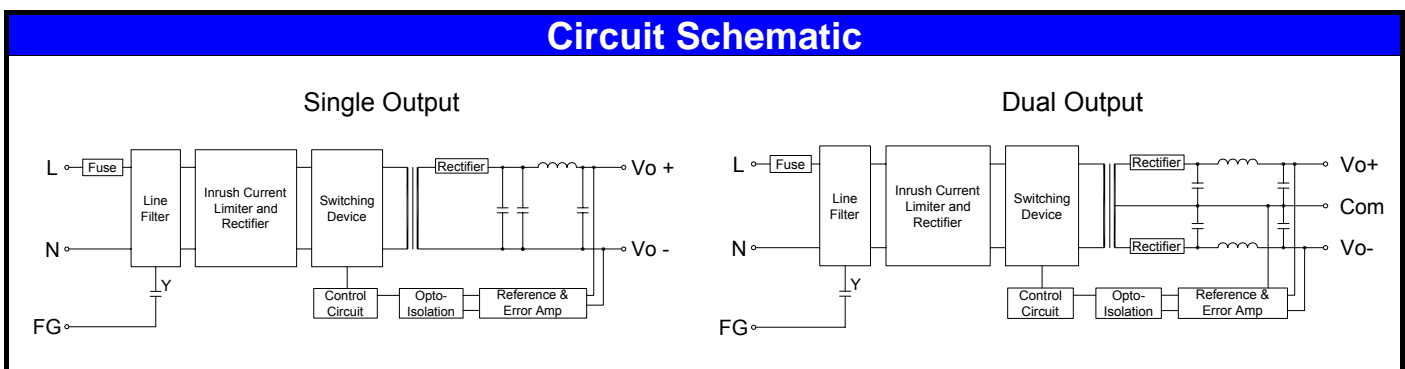
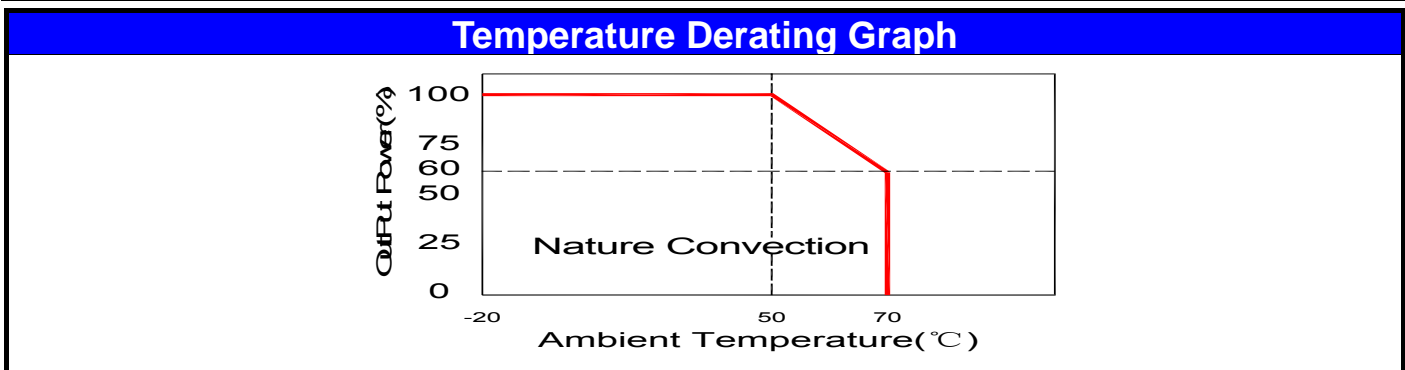
Part Number	Output Wattage	Output Voltage	Output Current	Ripple & Noise	Efficiency
	(W)	(VDC)	(mA)	(mV) max(note)	(TYP %)
GB030-S03	20	3.3	6000	100	70
GB030-S05	30	5	6000	100	75
GB030-S12	30	12	2500	100	80
GB030-S15	30	15	2000	150	84
GB030-S24	30	24	1250	240	86
GB030-S48	30	48	625	240	88
GB030-D05	30	±5	±3000	100	75
GB030-D12	30	±12	±1250	100	78
GB030-D15	30	±15	±1000	150	80
GB020-D0503	20	V1=+5 / V2=+3.3	+3000/+1500	150	65
GB030-D0512	30	V1=+5 / V2=+12.0	+3000/+1250	150	75

Input Specifications						
Parameters	Conditions		Min	Typ	Max	Units
Rated Input Voltage	Vo,lo nom			100~240		Vac
Voltage Range	Vo,lo nom	AC in	90		264	Vac
		DC in	120		370	Vdc
Line frequency	Vi nom,lonom		47	50/60	63	Hz
Inrush Current	Io nom	Vi:115VAC			10	A
		Vi:230VAC			20	A
Input Fuse	VDE/UL/CCC FUSE 2.5A/250V (Slow blow)					

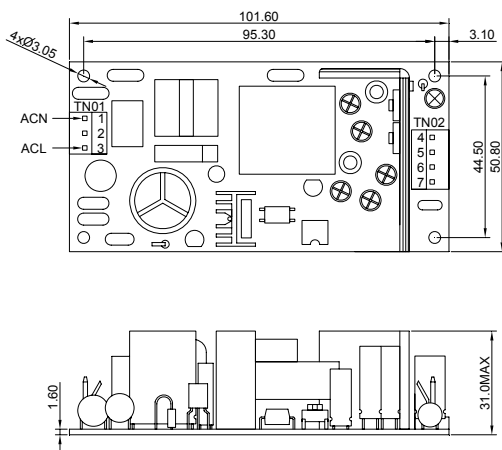
Output Specifications						
Parameters	Conditions		Min	Typ	Max	Units
Output Voltage Accuracy	Vi nom,lo nom (Main output)	3.3V,5V Models			±3	%
		12...48V Models			±2	%
	Supplement Output				±5	%
Minimum Load	Vi nom	Single Output Models	0			%
		Dual Output Models(each output)	20			%
Line Regulation	Io nom,Vi min...Vi max			±1		%
Load Regulation	Io min~Io nom	Single Output Models		±2		%
		Dual Output Models		±5		%
Protection	Overload		Above 110% rated output power			
			Protection type: Recovers automatically after fault condition is removed			
	Over Voltage		120%-150% rated output Voltage			
			Protection type: Zener diode clamp			
Short circuit		Recovers automatically after fault condition is removed				

Note. Ripple & noise is measured by using 20 MHz bandwidth, measured with a 47uf paralleled with a high-frequency 0.47uf capacitor across each output by full load.

General Specifications					
Parameters	Conditions	Min	Typ	Max	Units
Switching Frequency	Vi nom,lo nom		65		KHz
Isolation Voltage	Input / Output	3KVac/ 5mA/5Secs			
Isolation Resistance	Input / Output,@500 Vdc	100			MΩ
Operating Temperature	Operating at Vi nom,lo nom	-20		+70	°C
Derating	Vi nom,lo nom+51 to 71°C			2	%/°C
Storage Temperature	Non Operational	-40		+85	°C
Relative Humidity	Vi nom,lo nom			95	% RH
Dimension	L101.60 x W50.80 x H31.0				mm
Cooling	Free air convection				



Markings and dimensions



Notes:

- 1.Input connector mates with Molex housing 09-50-3031 and Molex 2478 series crimp terminal.
- 2.Output connector mates with Molex housing 09-50-3041 and Molex 2478 series crimp terminal.

TN01	Model		
	Single	Dual	Dual
PIN			
1	ACN	ACN	ACN
2	No PIN	No PIN	No PIN
3	ACL	ACL	ACL
TN02			
4	+Vo	+Vo	+Vo2
5	+Vo	Com	+Vo1
6	-Vo	Com	Com
7	-Vo	-Vo	Com

Unit:mm Unless otherwise specified, all tolerances are ± 0.50