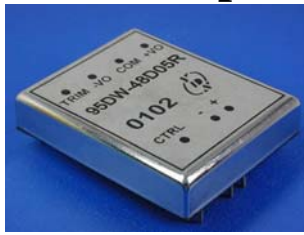




## Wide Input Voltage Range 20 Watt Dc-Dc Converter



### FEATURES:

- 4:1 Wide Input Voltage.
- Recognized By UL 60950-1
- 20 Watt Package.
- Efficiency To 80%
- PI Input Filter.
- 1500Vdc Isolation
- MTBF:>1,500,000 hrs
- Operating Temperature:-40°C TO +85°C



Specifications typical at TA=25°C, nominal input voltage and rated output current unless otherwise specified

Part Number	Input Voltage	Input Current		Output Voltage	Output Current	Efficiency
	Vdc	No-Load (mA TYP)	Full Load (mA TYP)	Vdc	Full Load (mA)	%TYP
95DW-24S05RXNL	9-36	25	1042	5	4000	80
95DW-24S12RXNL	9-36	25	1044	12	1670	80
95DW-24S15RXNL	9-36	25	1044	15	1330	80
95DW-24D12RXNL	9-36	25	1042	±12	±833	80
95DW-24D15RXNL	9-36	25	980	±15	±666	85
95DW-48S05RXNL	18-72	20	521	5	4000	80
95DW-48S12RXNL	18-72	20	492	12	1670	85
95DW-48S15RXNL	18-72	20	492	15	1330	85
95DW-48D12RXNL	18-72	20	492	±12	±833	85
95DW-48D15RXNL	18-72	20	492	±15	±666	85

Note: X : 1. 50.8\*40.6\*13.2 mm    2. 50.8\*50.8\*11.0 mm

### Input Specifications

Parameters	Conditions	Min	Typ	Max	Units
Voltage Types				4:1	
Filter	PI TYPE				

### Output Specifications

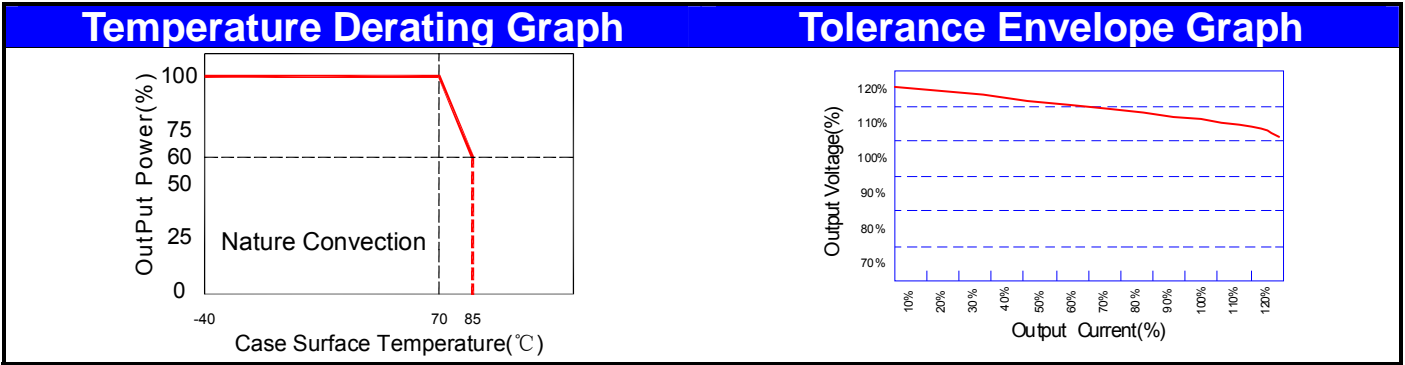
Parameters	Conditions	Min	Typ	Max	Units
Voltage Tolerance				±2	%
Short Circuit Protection	Continuous				
Line Regulation				±0.1	%
Load Regulation	Single(25%F.L)			±0.5	%
Load Regulation	Dual(25%F.L)			±2.0	%
Ripple & Noise	BW=DC To 20MHz			100	mVp-p
Transient response setting time	50% load step change		350		us

### General Specifications

Parameters	Conditions	Min	Typ	Max	Units
Isolation Resistance	500Vdc	1000			MΩ
Switching Frequency			500		KHz
Operating Temperature		-40		85	°C
Humidity	Non Condensing			95	%
Cooling	Free air Convection				
Case material	Six-Side Shielded Case				
Weight			110		g
Dimensions	Package 1	50.8x40.6x13.2			mm
Dimensions	Package 2	50.8x50.8x13.2			mm
Potting Material	Epoxy (UL94V-0 rated)				
Radiated Emissions	EN55022	CLASS A			
Conducted Emissions	EN55022	CLASS A			



Wide Input Voltage Range 20 Watt Dc-Dc Converter



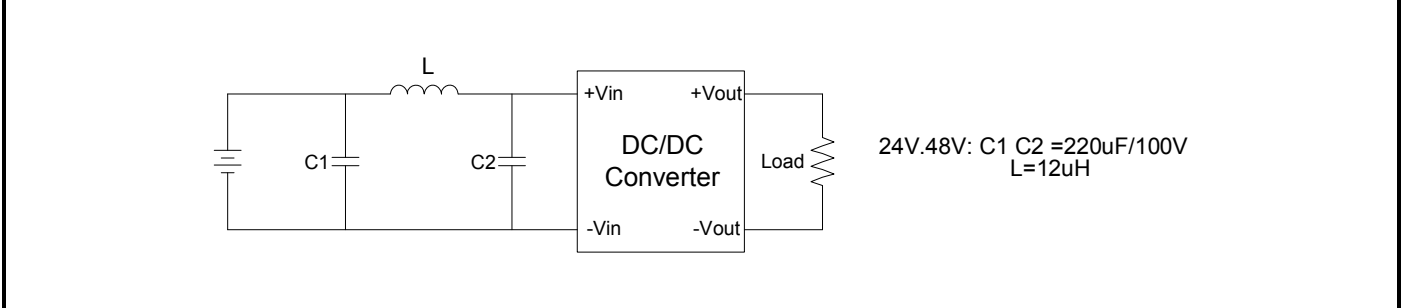
**Recommended Test Circuit**

**Single:** Vin, GND, Cin, Single, Cout, 100uF/25V, +Vout, -Vout. 24V & 48V: Cin 100uF,100V

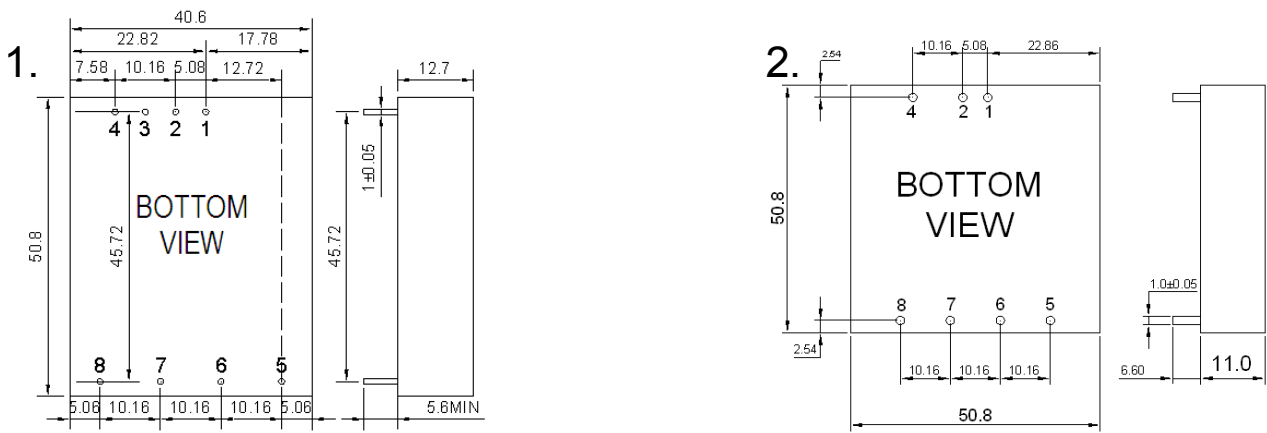
**Dual:** Vin, GND, Cin, Dual, Cout, 100uF/25V, +Vout, COM, -Vout. 24V & 48V: Cin 100uF,100V

**Part Number:** 95DW - 24 S 03 R 2 NL  
 A B C D E F  
 A:Series  
 B:Input Voltage  
 C:Single Output  
 D:Output Voltage  
 E:Regulated(R)  
 F:Package  
 G:RoHS Version

Input filter components(C1,C2,L) are used to help meet conducted emissions requirement for the module . These components should be mounted as close as possible to the module; and all leads should be minimized to decrease radiated noise.



Markings and dimensions



**PIN Connection**

PIN	1	2	3	4	5	6	7	8
SINGLE	+Vin	-Vin	NO PIN	Ctrl	NO PIN	+Vout	-Vout	Trim
DUAL	+Vin	-Vin	NO PIN	Ctrl	+Vout	COM	-Vout	Trim