

**10Watt, Single Output , Medical AC/DC Converter**

**GA10M - S 05**  
 A            B C

**A:Series**  
**B:Single Output**  
**C:Output Voltage**
**Features:**

- Universal Input 80~264VAC
- Medical safety design refer to (2 X MOPP) according to ANSI/AAMI ES60601-1 and IEC/EN60601-1
- Suitable for BF application with appropriate system consideration
- No load power consumption < 0.1W
- Extremely low leakage current
- EMI class B for class II configuration
- Protection: Short Circuit /Overload/Over Voltage/Over Temperature
- No minimum load required
- 2 Years Warranty    ● ROHS Compliant

**Applications:**

- Portable medical device
- Mobile clinical workstation
- Medical computer monitor
- Medical examination instrument

Specifications typical at TA=25°C, nominal input voltage and rated output current unless otherwise specified					
Part Number	Output Wattage	Output Voltage	Output Current	Ripple & Noise	Efficiency
	(W)	(VDC)	(mA)	(mV) max(Note)	(TYP %)
<b>GA10M-S05</b>	10	5	2000	100	79
<b>GA10M-S12</b>	10.2	12	850	180	82
<b>GA10M-S15</b>	10	15	670	180	82
<b>GA10M-S24</b>	11	24	460	200	83

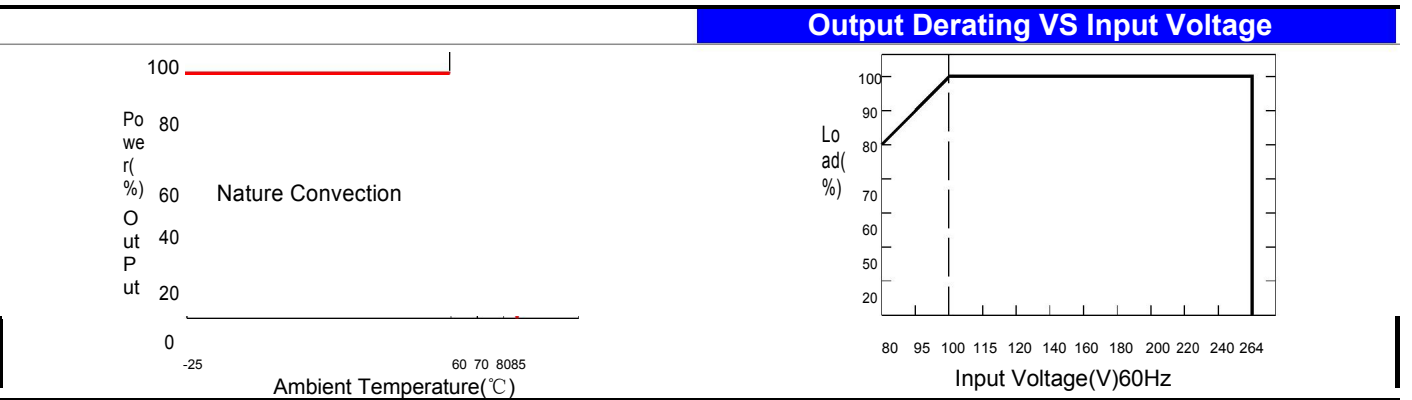
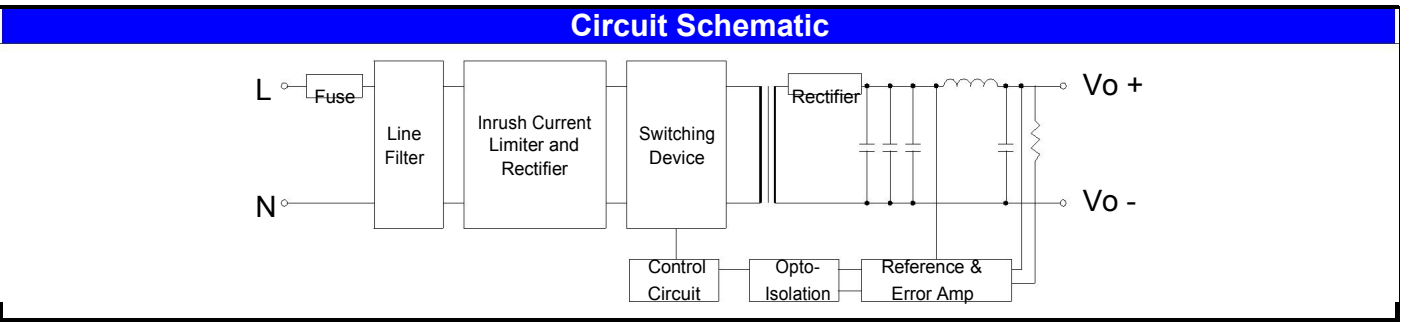
Notes: Ripple & noise is measured by using 20 MHz bandwidth, measured with a 47uf paralleled with a high-frequency 0.47uf capacitor across each output by full load.

Input Specifications					
Parameters	Conditions	Min	Typ	Max	Units
Rated Input Voltage	Vo,lo nom		100~240		Vac
Voltage Range	Vo,lo nom	AC in	80	264	Vac
		DC in	105	370	Vdc
Line frequency	Vi nom,lonom	47	50/60	63	Hz
Inrush Current	Io nom	Vi:115VAC		25	A
		Vi:230VAC		45	A
Input Current(Full load)	0.3A (115Vac) 0.2A (230Vac)				
Input Fuse	VDE/UL/CCC FUSE 2.5A/250V (Slow blow).				

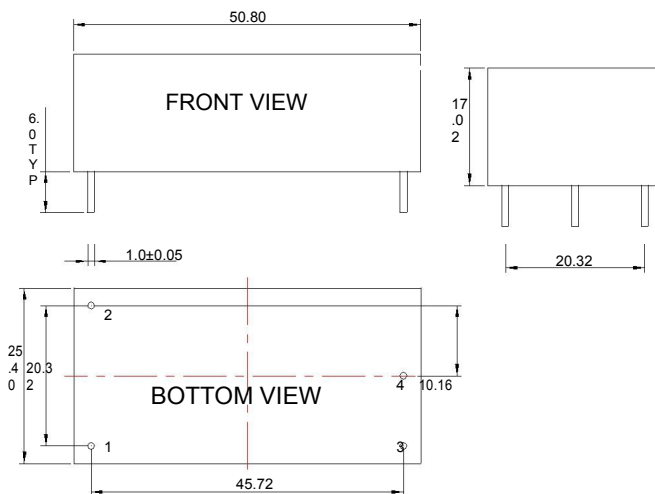
Output Specifications					
Parameters	Conditions	Min	Typ	Max	Units
Output Voltage Accuracy	Vi nom,lo nom			±3	%
	12/15/24V Models			±2	%
Minimum Load	Vi nom	0			%
Line Regulation	Io nom,Vi min...Vi max		±0.3		%
Load Regulation	Vi nom, Io min...Io nom		±0.5		%
Protection	Overload	Above 110% rated output power <b>Protection type:</b> Recovers automatically after fault condition is removed			
	Short circuit	Recovers automatically after fault condition is removed			
	Over Voltage	110%-150% rated output Voltage <b>Protection type:</b> Zener diode clamp			
	Over Temperature	<b>Protection type:</b> Shut down o/p voltage, recovers automatically after temperature goes down			

10Watt, Single Output , Medical AC/DC Converter

General Specifications					
Parameters	Conditions	Min	Typ	Max	Units
Isolation Voltage	Input / Output	4KVac/ 5mA/60Secs			
Isolation Resistance	Input / Output,@500 Vdc	100			MΩ
Operating Temperature	Operating at Vi nom,lo nom	-25		+85	°C
Storage Temperature	Non Operational	-40		+100	°C
Relative Humidity	Vi nom,lo nom			95	% RH
Dimension	L50.80x W25.40 x H17.02mm				
Cooling	Free air convection				



**Markings and dimensions**



Unit: mm Unless otherwise specified, all tolerances are  $\pm 0.50$

PIN Connection				
PIN	1	2	3	4
GA10M	ACN	ACL	-Vo	+Vo